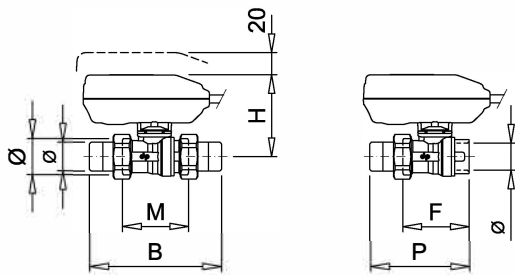
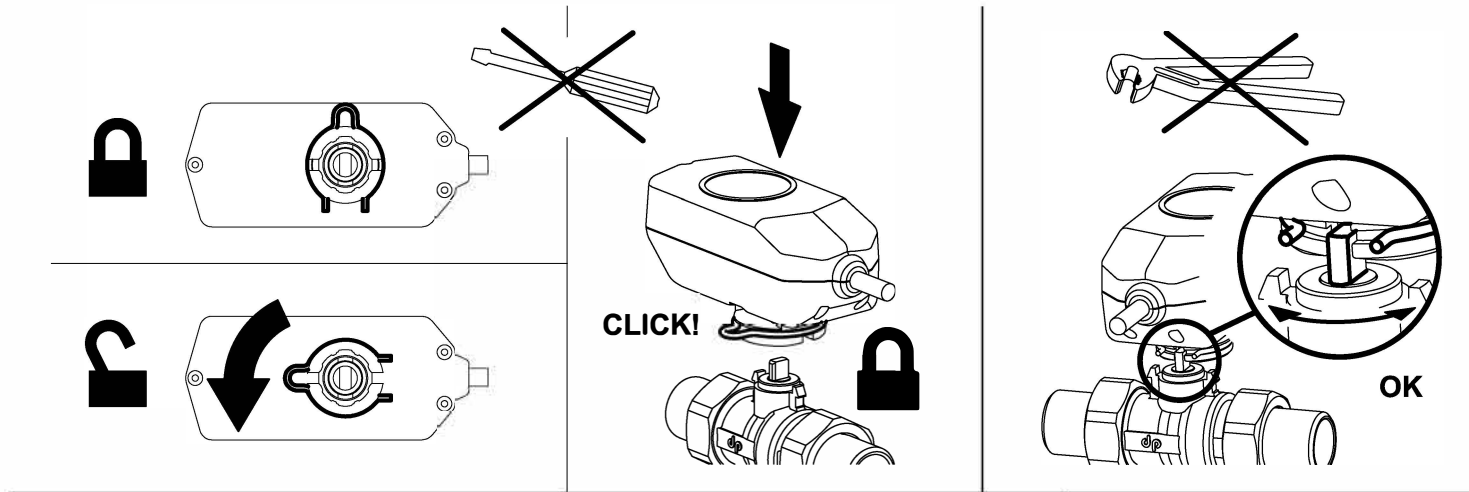


# MOTORIZED COMPACT BALL VALVE FAST

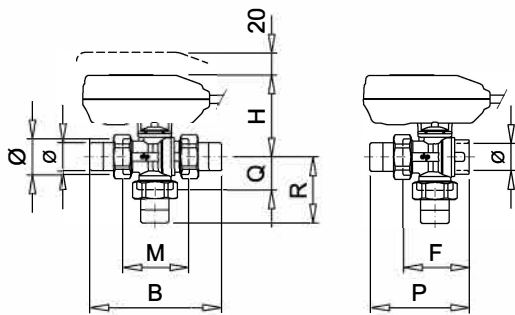
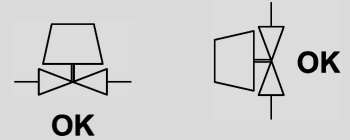
1/2" - 3/4" - 1"  
12" x 90°



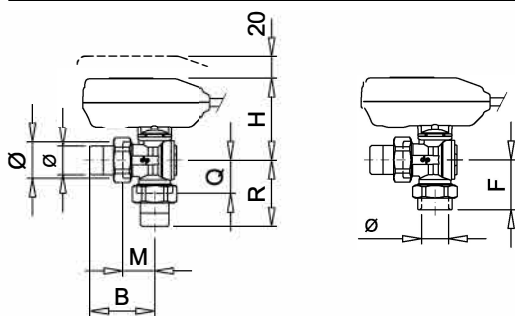
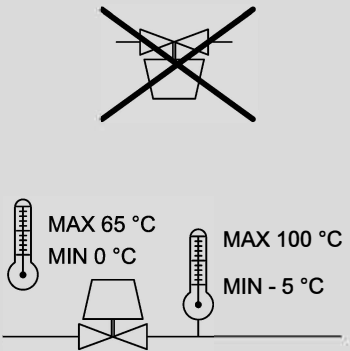
## OPERATING INSTRUCTIONS



ø	Ø	H	M	B	F	P
1/2"	3/4"	75	59	113	59	86
3/4"	1"		60	120	60	90
1"	1" 1/4	78	72	141	72	107



ø	Ø	H	M	B	Q	R	F	P
1/2"	3/4"	75	59	113	29	56	59	86
3/4"	1"		60	120	30	60	60	90
1"	1" 1/4	78	72	141	35	70	72	107



ø	Ø	H	M	B	Q	R	F
1/2"	3/4"	75	28	55	29	50	43
3/4"	1"		29	59	30	60	45
1"	1" 1/4	78	34	69	35	70	52

BEFORE INSTALLING THE VALVE BE SURE THAT NO SOLID RESIDUES, LIKE WELDING OR THREADING RESIDUES, REMAIN IN THE HYDRAULIC CIRCUIT

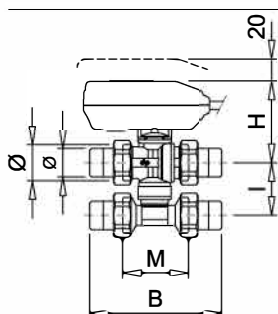
### BODY VALVE TECHNICAL FEATURES

UTILISABLE FLUIDS  
WATER OR LIQUIDS COMPATIBLE WITH PTFE AND EPDM

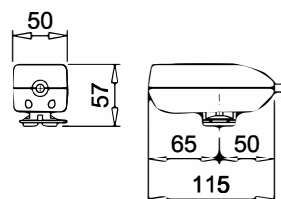
FLUID TEMPERATURE FIELD  
- 5 ÷ 100 ° C

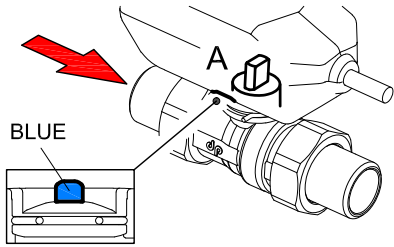
MAXIMUM OPERATING PRESSURE  
10 bar

MAXIMUM DIFFERENTIAL PRESSURE  
4 bar

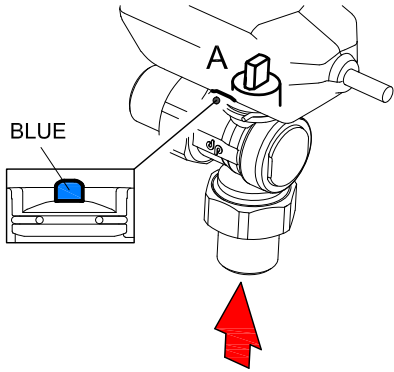
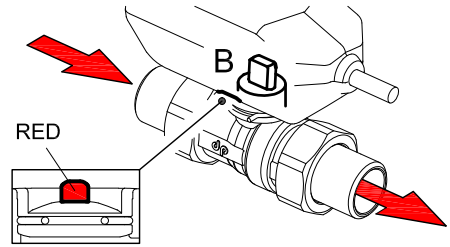


ø	Ø	H	M	B	I
3/4"	1"	75	60	120	48 ÷ 60
1"	1" 1/4	78	72	141	52 ÷ 60

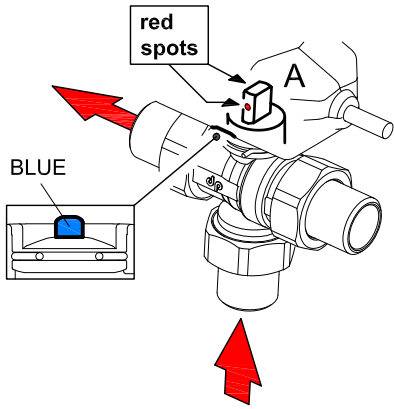
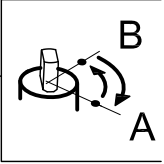
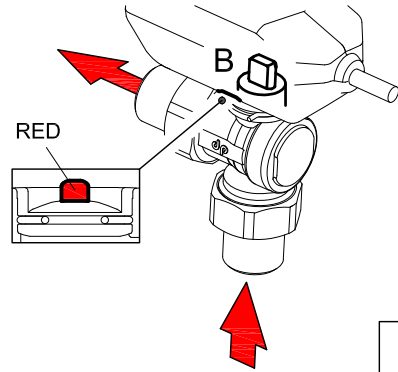




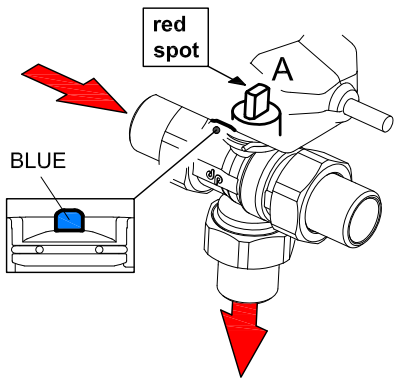
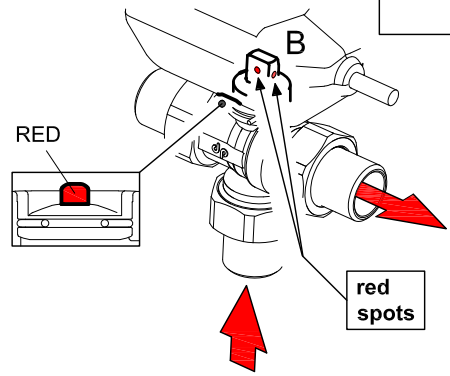
**2 WAYS**



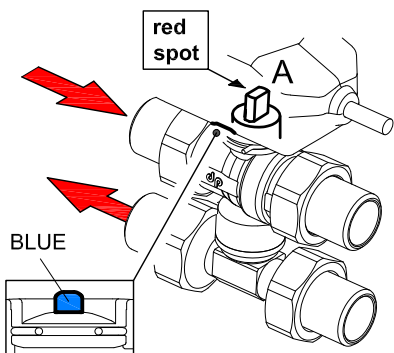
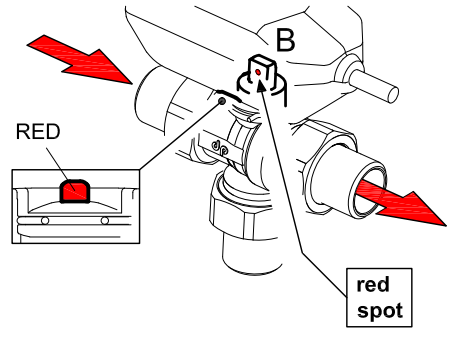
**2 WAYS  
SQUARE**



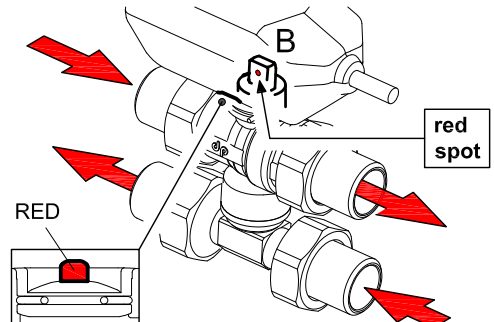
**3 WAYS  
"T" BORED**

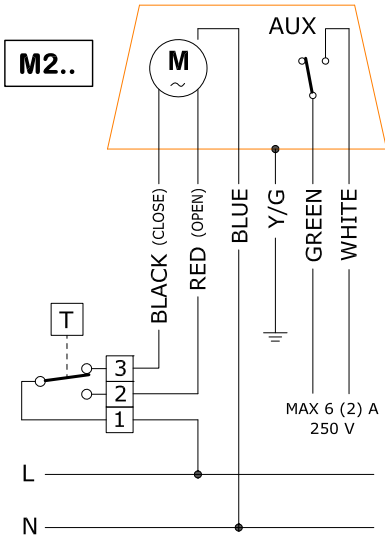


**3 WAYS  
LATERAL  
DIVERTING**

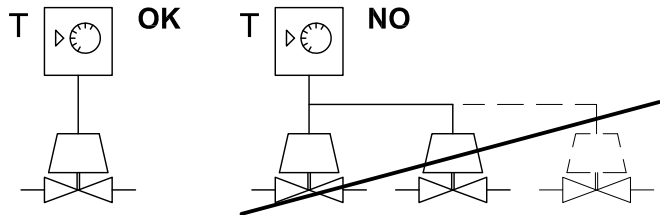


**4 WAYS**

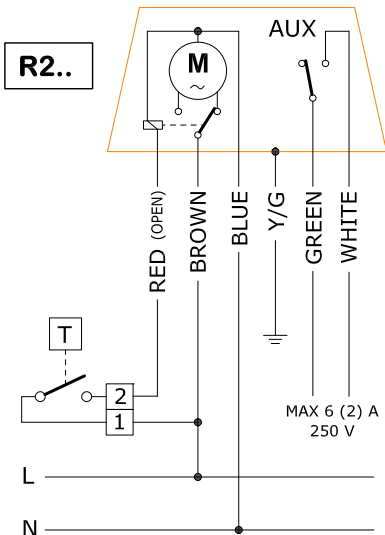




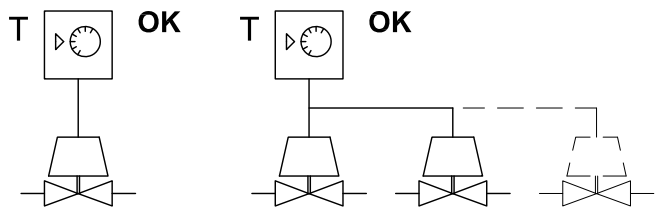
**3 WIRES CONTROL**



3 WIRES ACTUATORS CANNOT BE CONNECTED IN PARALLEL TO A SINGLE ROOM THERMOSTAT / CONTROL UNIT



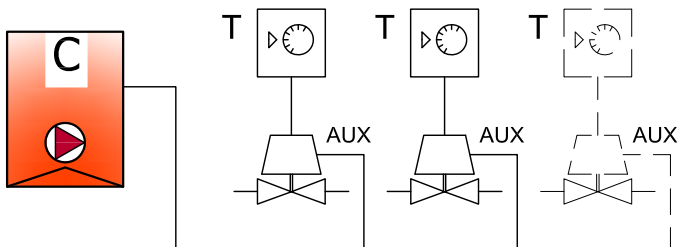
**2 WIRES CONTROL**



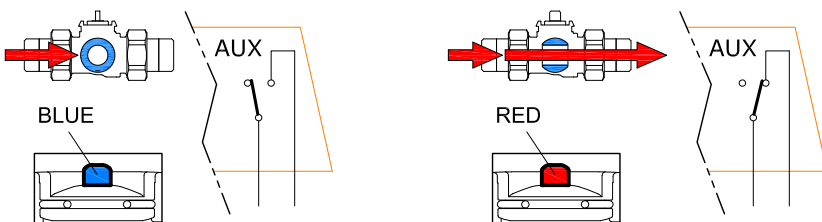
2 WIRES ACTUATORS CAN BE CONNECTED IN PARALLEL TO A SINGLE ROOM THERMOSTAT / CONTROL UNIT

**AUXILIARY SWITCH**

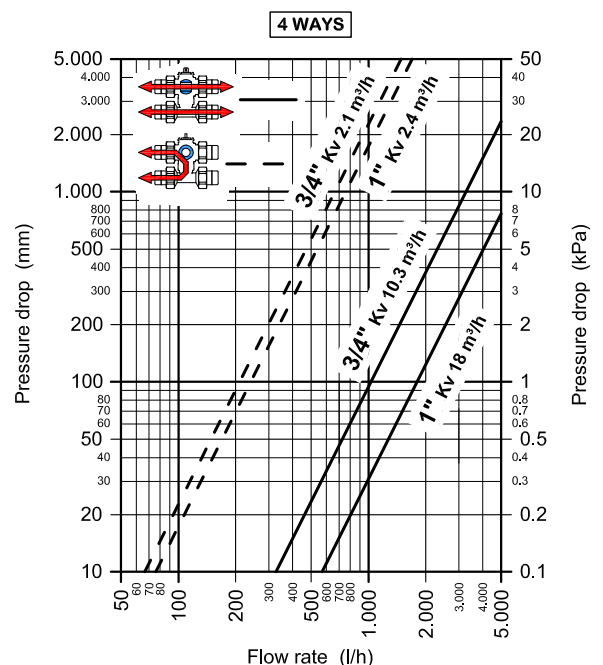
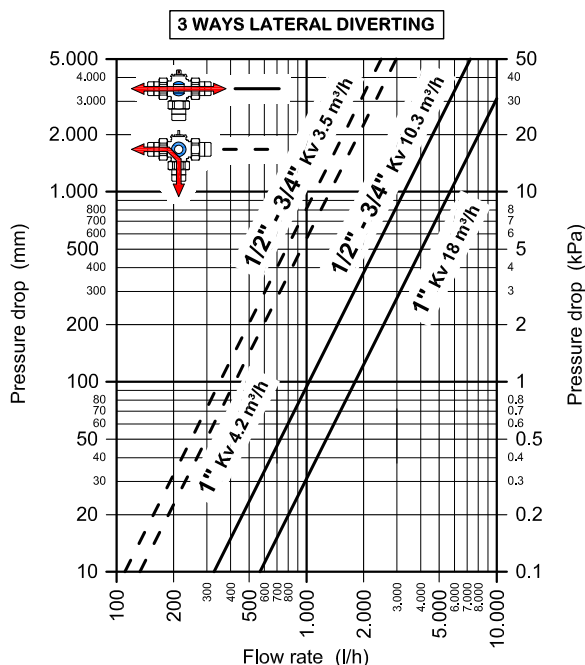
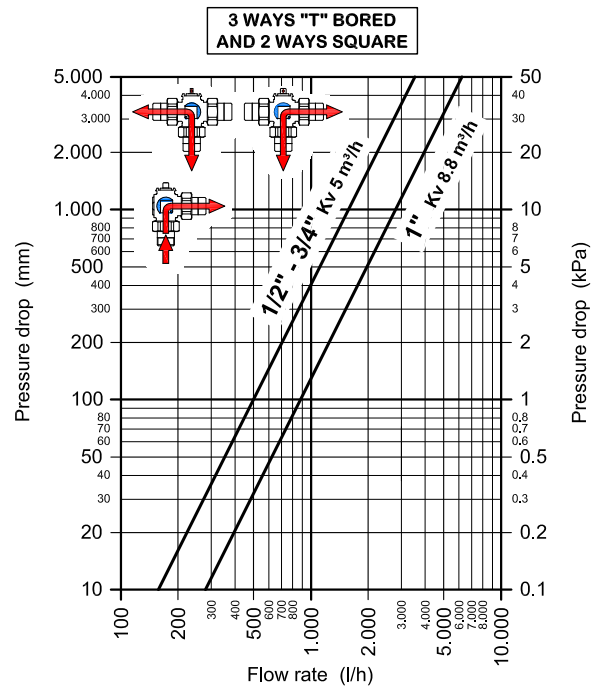
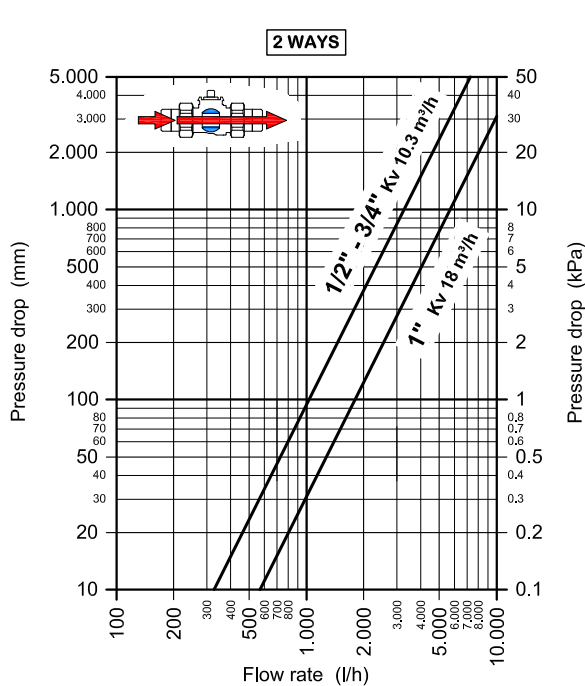
FREE VOLTAGE CONTACT MAX. 6 (2) A - 250 V



AUXILIARY SWITCHES OF DIFFERENT ACTUATORS CAN BE CONNECTED IN PARALLEL TO THE GAS BOILER. THE FIRST SWITCH CLOSING WILL START THE BOILER. THE LAST SWITCH OPENING WILL STOP THE BOILER.



THE AUXILIARY SWITCH CLOSSES WHEN THE VALVE IS IN OPENED POSITION (INDICATOR ON ACTUATOR IS RED)



### SERVOMOTOR TECHNICAL FEATURES

	M2B	M2C	R2B	R2C
CONTROL TYPE	3 WIRES (C-NO-NC)		2 WIRES (RELAY INSIDE)	
SUPPLY VOLTAGE	230 V - 50 Hz	24 V - 50 Hz	230 V - 50 Hz	24 V - 50 Hz
POWER CONSUMPTION	4 W			
AUXILIARY SWITCH	MAX. 6 (2) A - 250 V			
OPERATION TIME	12 " x 90 °			
WORKING AMBIENT TEMPERATURE	0 ÷ 65 ° C			
ELECTRIC PROTECTION RATING	IP 54			
ELECTRIC CABLE	6 x 0.5 mm <sup>2</sup> - 1 meter			

**GUARANTEE** The Seller warrants each new servomotor to be free from defects in material, workmanship and construction, and that when installed and used in accordance with this technical datasheet will perform to applicable specifications for a period of two years from the date of delivery. If examination by the Seller discloses that the product has been defective, then its obligation is limited to repair or replacement, at its option, of the defective product or its components. The Seller is not responsible for products which have been subject to misuse, alteration, accident or for repairs not performed by the Seller. Products must be returned properly packed with transportation charges prepaid to The Seller; return delivery terms will be DDP Seller's Factory. The foregoing warranty constitutes the Seller's sole liability, and is in lieu of any other warranty, of merchantability or fitness. The Seller shall not be responsible for any incidental or consequential damages arising from any breach of warranty.

**de pala**

33080 ROVEREDO IN PIANO ( Pordenone ) - Via del Lavoro, 10 - ITALIA Web : [www.depala.it](http://www.depala.it)  
 Telefono 0434.920466 0434.923166 FAX 0434.591473 e-mail : [info@depala.it](mailto:info@depala.it)