

# MODULATING REGULATION VALVES WITH EQUIPERCENTAGE FLOW CURVE EQUISFERA 2 WAYS

1/2" - 3/4" - 1" - 1" 1/4 - 1" 1/2

Flow rate regulation



ATTACHMENTS:  
FEMALE OR  
PIPE UNIONS

## OPERATING INSTRUCTIONS

### WORKING

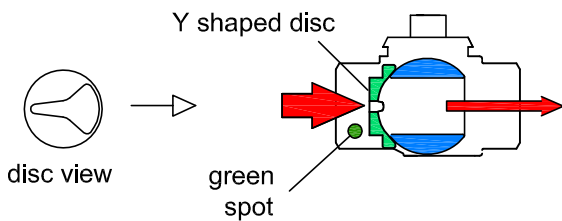
Brass body valve is provided with a ball shutter, seated between two PTFE discs: the one placed at the inlet side is "Y" shaped according to the equipercentage regulation flow rate. To ensure a long last and smooth movement it has been placed an anti-blocking EPDM O-Ring at a side of both PTFE seals.

De Pala valve is powered by a bidirectional servomotor with 90° reversible movement connected to the body valve by means of a quick reease bayonet coupling system. The electric actuator is equipped with a strong gear box with heat-treated steel gears.

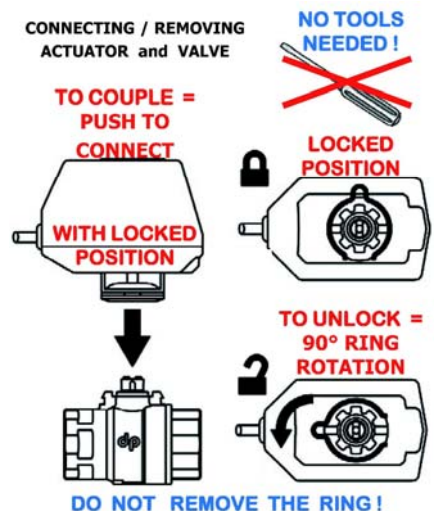
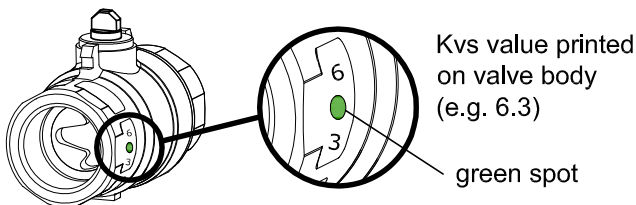
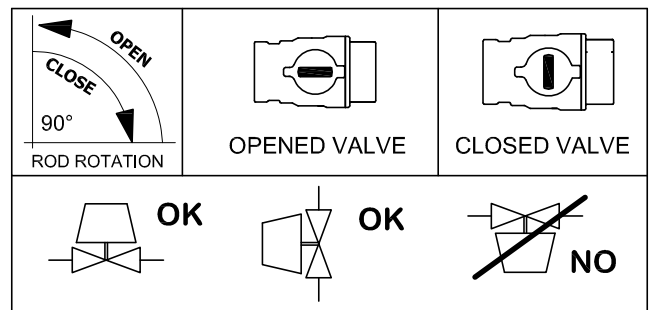
Servomotor can be controlled by a 3-point moduating control with a precise ball shutter positioning proportionally related to the control signal. It can also be controlled by an electronic control with chrono-proportional outputs or by means of a climatic electronic control with external and inet pipe sensors.

Valve can be also driven manually by rotating the motor after disconnect it from the body valve.

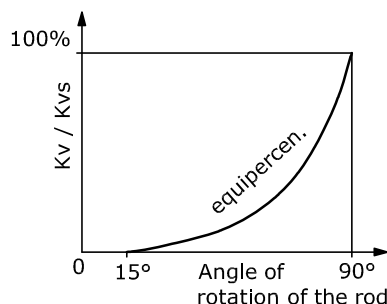
### INSTALLATION



green spot  
=  
inlet side

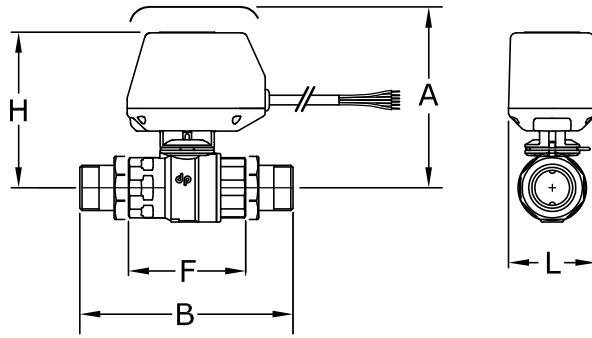


∅	1/2"	3/4"	1"	1" 1/4	1" 1/2
Kvs (m <sup>3</sup> /h)	0.63	1.6	6.3	10	16
	1.0	2.5	10	16	25
	1.6	4.0			
	2.5	6.3			
	4.0				

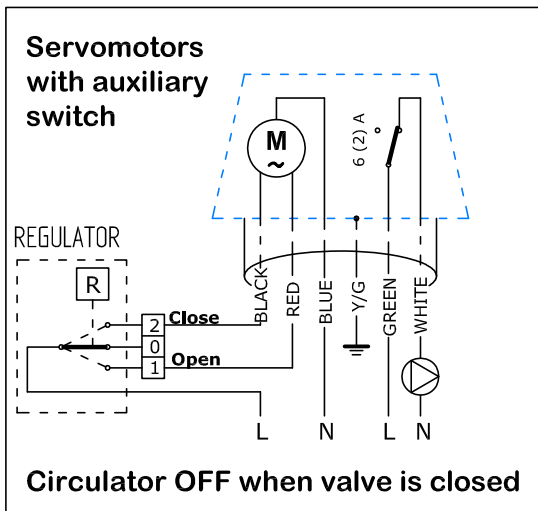
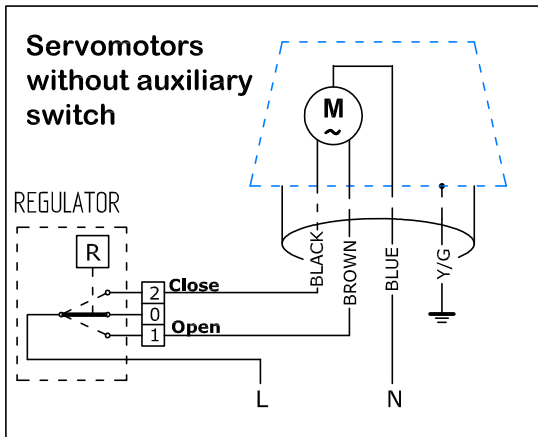


# TECHNICAL FEATURES OF VALVE AND SERVOMOTOR

OVERALL DIMENSIONS					
Ø	H	A	F	B	L
1/2 "	110	130	77	131	64
3/4 "	110	130	77	139	
1 "	115	135	87	156	
1 " 1/4	120	140	94	172	
1 " 1/2	128	148	108	193	



## □ ELECTRIC CONNECTIONS



## □ VALVE BODY

- Valve body : Brass CW617N (UNI 12165) NICH.
- Ball : Brass CW614N (UNI 12164) NICH / CROM
- Regulation disc: PTFE
- Rod : Brass CW614N (UNI 12164) with double EPDM O-RING
- Maximum operating pressure: 16 bar
- Maximum differential pressure:  $\Delta p = 4$  bar
- Fluid temperature range :  $0 \div 100$  °C
- Utilisable fluid : water / liquids compatible with PTFE / EPDM

## □ SERVOMOTORS

- Power consumption : 4 W
- Working ambient temperature :  $0 \div 65$ °C
- Closing / opening time : 120 " x 90 °
- Type of control : 3 points
- Max. auxiliary switch capability: 6 (2) A - 250 V ca
- External indication of shutter position

	Electric protection rating	Supply voltage	Auxiliary switch
M7A3EN	IP 54	230 V	NO
M7S3EN		24 V	
M7B3EN		230 V	YES
M7C3EN	24 V		
P7A3EN	IP 65	230 V	NO
P7S3EN		24 V	
P7B3EN		230 V	YES
P7C3EN		24 V	

### WARRANTY

DE PALA srl warrants each new valve and servomotor to be free from defects in material, workmanship and construction, and that when installed and used in accordance with this technical datasheet will perform to applicable specifications for a period of two years from production date stamped. If examination by DE PALA srl discloses that the product has been defective, then our obligation is limited to repair or replacement, at our option, of the defective product or its components. DE PALA srl is not responsible for products which have been subject to misuse, alteration, accident or for repairs not performed by DE PALA srl. Products must be returned properly packed with transportation charges prepaid to DE PALA srl; return delivery terms will be DDP Our Factory. The foregoing warranty constitutes DE PALA srl sole liability, and is in lieu of any other warranty, of merchantability or fitness. DE PALA srl shall not be responsible for any incidental or consequential damages arising from any breach of warranty.

